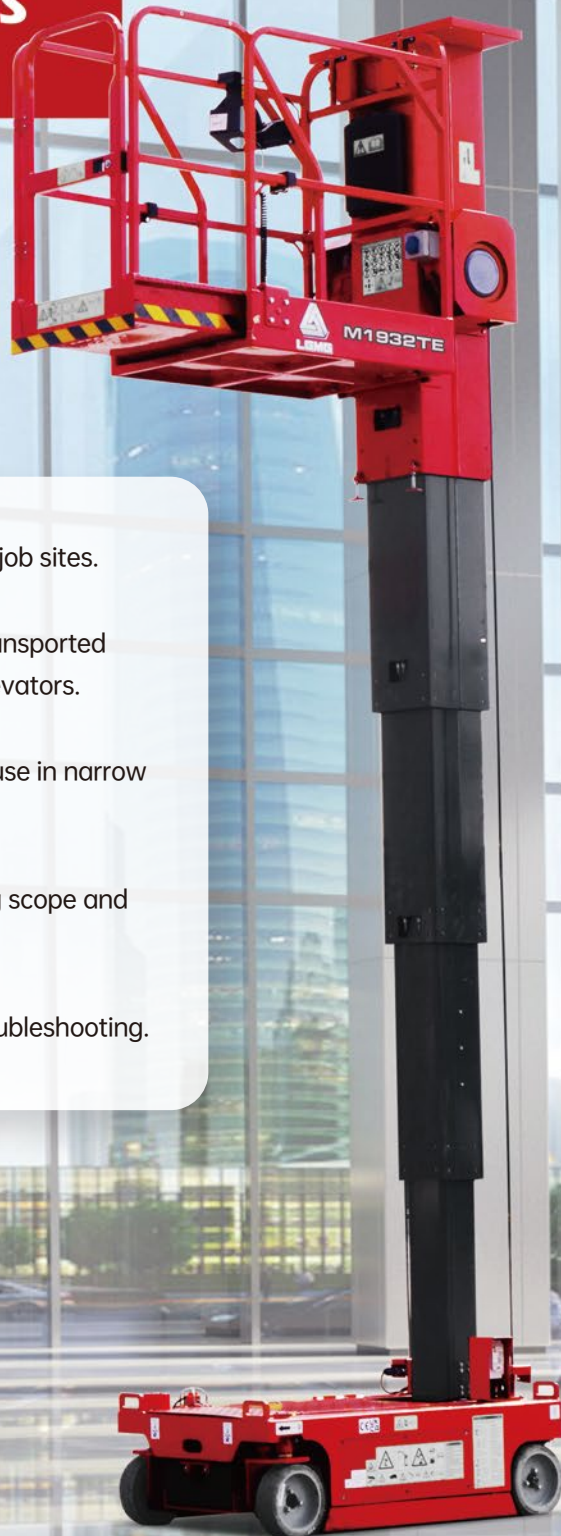


# LGMG

## M1932TE

### VERTICAL MAST LIFTS



- Indoor and outdoor use, adaptable to diverse job sites.
- Narrow chassis, low stowed height, can be transported easily through doorways and in passenger elevators.
- Small inside turning radius allows for flexible use in narrow spaces, improving work efficiency.
- One-side extension deck enlarges the working scope and enhances productivity.
- Intelligent self-diagnostic system for quick troubleshooting.

# LGMG VERTICAL MAST LIFTS

## SPECIFICATIONS

MODELS	M1932TE (M0608TE)	
Measurements	Metric	Imperial
Working Height Max.	7.6/6.2m in/out	24'11"/20'4" in/out
Platform Height(Raised)	5.6/4.2m in/out	18'4"/13'9" in/out
Platform Size	0.98x0.76m	3'3"x2'6"
<b>A</b> Overall Length	1.4m	4'7"
<b>B</b> Overall Width	0.79m	2'7"
<b>C</b> Overall Height (Stowed)	1.99m	6'6"
<b>D</b> Wheelbase	1.15m	3'9"
<b>E</b> Extension Deck	0.5m	1'8"
Ground Clearance (Stowed)	68mm	3"

### PRODUCTIVITY

Max. Platform Occupants	1(in) / 1(out)	
Platform Capacity	200kg	441 lbs
Platform Capacity- Extension Deck	113kg	249 lbs
Drive Mode	Rear wheels drive	
Drive Speed (Stowed)	4km/h	2.5mph
Drive Speed (Rised)	0.5km/h	0.31mph
Gradeability	25%	
Tire Size	250x80mm	10"x3"

### POWER

Power Source	24V 145Ah
--------------	-----------

### HYDRAULIC SYSTEM

Hydraulic Oil Capacity	4.5L	1.2 gal
------------------------	------	---------

### WEIGHT

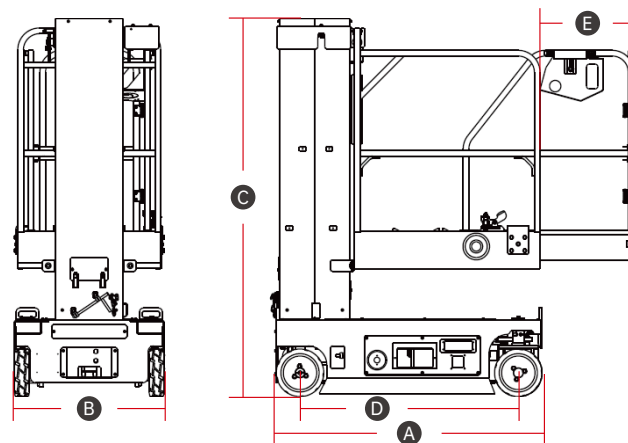
Machine Weight	1,150kg	2,535 lbs
----------------	---------	-----------

### STANDARD FEATURES

Proportional control	leak containment tray
Horn/Hour meter	Emergency stop device
Emergency descent	Intelligent diagnostic system
Pothole guard	Charging protection system
Tilt alarm	Overload sensing system
Platform tool box	Solid non-marking tires

### OPTIONAL

power to platform	Biodegradable hydraulic oil
AC power to platform	



Please contact LGMG or a local dealer for more details.

LGMG reserves the right to change technical data without prior notice. All photos and pictures in this brochure are for promotional purposes only.

**LGMG Machinery Canada Ltd.**

Address: 76 Sinclair Blvd, Brantford, Canada  
Email: sales@lmg.ca Tel: +1 (800) 420-5999

www.lmg.ca



RELIABILITY IN ACTION