

LGMG

S4046E II

**ELECTRIC MOTOR DRIVE
SCISSOR LIFT**

- Large lower control panel
- Entire range designed for indoor and outdoor use
- Universal key components
- More convenient to maintain
- Optional lithium battery for the entire product range



LGMG ELECTRIC MOTOR DRIVE SCISSOR LIFT

SPECIFICATIONS

MODELS	S4046E II (S1212E II)	
Measurements	Imperial	Metric
Work Height Max.	45'11"/31'2" (in/out)	14/9.5m (in/out)
A Platform Height-Raised	39'4"/24'7" (in/out)	12/7.5m (in/out)
B Platform Length	7'5"	2.26m
C Platform Width	3'8"	1.12m
D Overall Length	8'2"	2.49m
E Overall Width	3'10"	1.18m
F Overall Height-Guardrails Up	8'8"	2.63m
G Overall Height-Guardrails Down	5'11"	1.8m
H Extension Deck	2'11"	0.9m
I Wheelbase	6'1"	1.85m
Ground Clearance(Stowed/Raised)	4"/1"	100/20mm

PRODUCTIVITY

Max. Platform Occupants	2 (in) / 1(out)	
Platform Capacity	705 lbs	320kg
Platform Capacity-Extension Deck	265 lbs	120kg
Drive Height	Full Height	
Gradeability-Stowed	25%	
Min. Turning Radius	8'	2.45m
Raise/Lower Speed	65s / 60s	
Brakes	Front-wheel Brake	
Drive Mode	4x2	
Tire Type	Solid Non-marking	
Tire Size	15"x5"	380x130mm

POWER

Power Source	24V 300Ah	
Power Source (S4046E II -Li)	24V 230Ah	

HYDRAULIC SYSTEM

Hydraulic Oil Capacity	6.1gal	23L
------------------------	--------	-----

WEIGHT

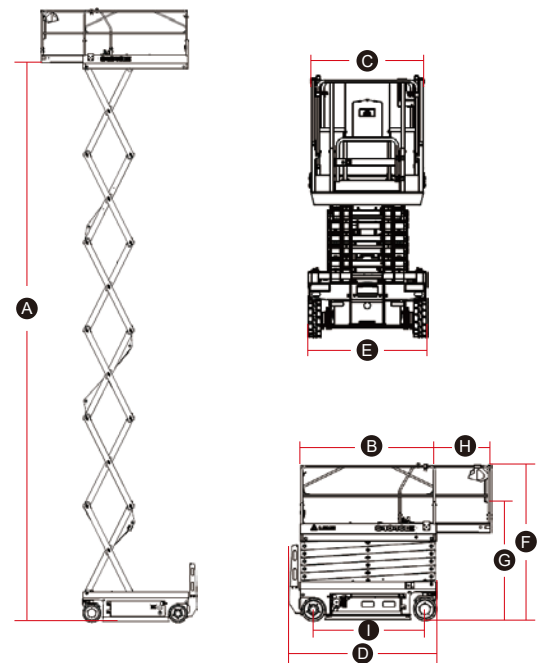
Machine Weight(CE/ANSI)	6548 lbs	2970kg
-------------------------	----------	--------

STANDARD FEATURES

Proportional control	Indoor and outdoor rated
Foldable guardrail	Emergency stop device
Manual brake release	Swing-out component tray
Emergency descent	Tilt alarm with lift cut-out
Pothole guard	Overload sensing system
Self-lock entry gate	Descent alarm with flashing beacon
All motions alarm	Intelligent diagnostic system
Full-height drive	Solid non-marking tires

OPTIONAL

AC power to platform	Anti-collision protection
Voice alarm system	Maintenance-free battery
Telematics	Biodegradable hydraulic oil



Please contact LGMG or a local dealer for more details.

LGMG reserves the right to change technical data without prior notice. All photos and pictures in this brochure are for promotional purposes only.

This brochure comes into effect in May, 2023.

LINGONG HEAVY MACHINERY CO., LTD.

Address: No. 2676, Kejia Road, Jinan, Shandong, China
 Email: sales@lmgm.com.cn Tel: +86 531 6787 9283

LGMG Europe B.V.

Address: Donker Duyvisweg 301, 3316 BL Dordrecht, The Netherlands
 Email: sales@lmgmeurope.com Tel: +31 850 642 777

LGMG North America Inc.

Address: 4105 Live Oak Drive, Suite 100, The Colony, Texas 75056 United States
 Email: sales@lmgmna.com Tel: +1 833 288 5464

www.lmgglifts.com



RELIABILITY IN ACTION